

NIAP protection profile

This product is certified to the NIAP protection profile PSD version 4.0 certification for peripheral sharing devices.

Security Vulnerability

- Web form: <https://www.adder.com/en/support/contact-support>
- Email: compliance@adder.com
- Tel: +44 (0)333 2079766

Change management

For change management tracking, perform a quarterly log check to verify that the RFD was not improperly used to override the current device policy by an unauthorized person.

Notes and warnings

- Note: Holographic anti-tampering labels protect the product's enclosure, providing a clear visual indication if it has been opened or compromised.
- WARNING: For security reasons, this product does not support wireless keyboards. It is recommended not to connect a microphone or headset to the audio output port.
- WARNING: If the unit's enclosure appears disrupted or if all of the indicators are flashing continuously, remove the product from service immediately and contact Technical Support.

Dimensions

- 344 (W) x 171 (D) x 44 (H) mm, weight 1.6 kg

Welcome

This quick start guide covers some of the key points of the ADDERView Secure model: AVS-I 124. Please read the supplied safety instruction leaflet before use.

The ADDERView Secure 4-port High Security Multi-Viewer Switch allows you to work simultaneously with up to four computers. As required, you can view the output of any computer on either connected video display or view all four outputs on one display. Focus automatically changes between computers as the mouse pointer is moved into each related screen. Switching between computers can also be controlled from the smart front panel or from the optional remote control unit (RCU). Multiple techniques are employed to ensure that no crosstalk can occur between the connected computer channels.



Audio Hold button

Allows you to listen to audio from one computer while working with another.

Computer channel buttons

Press a button to connect the console peripherals to the corresponding computer. An indicator will illuminate on the selected button.

Status indicators
Display the status of the keyboard locks plus the remote control.



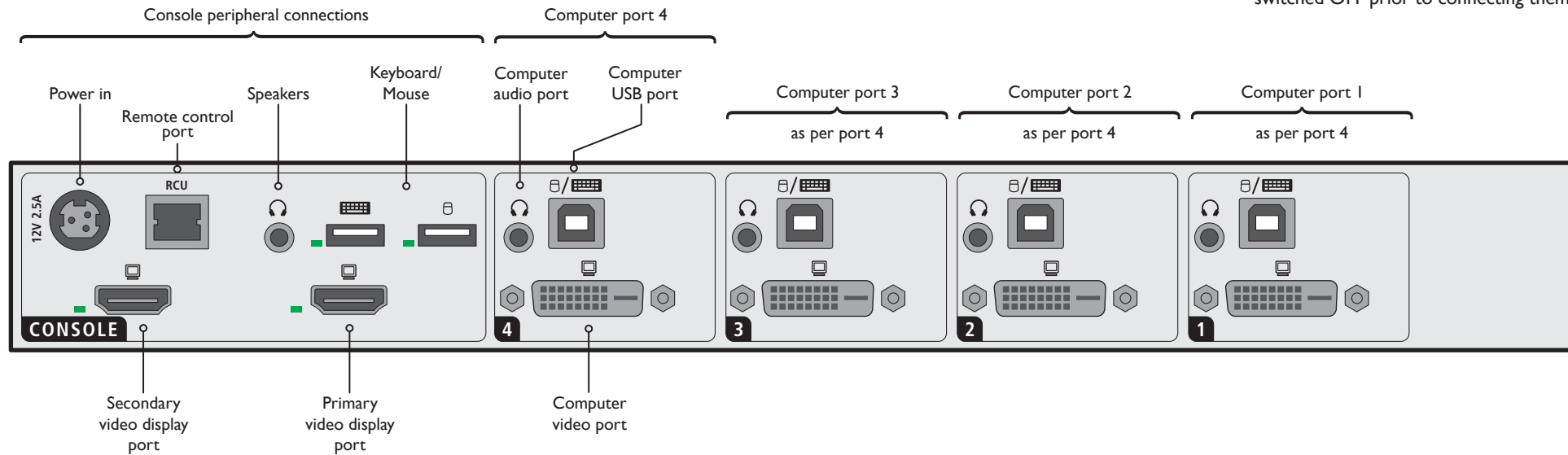
www.adder.com

Do not connect this product to computing devices that:

- are TEMPEST computers,
- include telecommunication equipment,
- include frame grabber video cards,
- include special audio processing cards.

Connections

Note: Ensure that all peripherals and computers are switched OFF prior to connecting them to the product.



Operation

Connect all peripherals and computers to the KVM unit. Ensure that the video monitor(s) are switched on before powering on the KVM unit.

Switching between computers

Select a computer by either pressing the corresponding front panel button or, if Absolute mode is enabled, move the mouse between channel windows. The console peripherals will be switched to the chosen computer and the corresponding indicator will illuminate.

Console port indications

Video LEDs

- Off - No EDID
- Flashing - Read in progress
- On - EDID received

USB LEDs

- Off - No device detected
- Flashing - Device rejected
- On - Device approved

Audio Hold

The Audio Hold button prevents switching the audio port when changing the other console peripherals (keyboard, mouse, video) to another computer channel. This function is useful when you need to listen to the audio from one computer while working on another.

Using the front panel computer channel buttons, first connect the console peripherals to the computer from where the audio feed is required. Press the Audio Hold button on the front panel. Then press the channel button for the computer that is required for the other peripherals. The audio association will be signalled by the right indicator on each channel's front panel push button.

To release the audio from hold status, press the Audio Hold button again.

Power on self-test

When the unit powers up it performs a self-test procedure. If the self-test fails for any reason, including a jammed button, the unit will become inoperable. The front panel indicators will show an abnormal display. Contact technical support and avoid using the product.

Remote control unit

The RCU provides a way to manually switch computer channels when the Adder unit is located away from your desktop. The RCU connects to the rear panel of the main unit and replicates the four channel buttons, the Audio Hold button and it also provides three keyboard lock status indicators.

