

Initial configuration


ALIF3000 units depend upon ADDERLink INFINITY Manager (AIM) for almost all of their configuration. As a new ALIF3000 unit is added to a network it must be in its factory default mode so that AIM can engage with it and begin managing its resources. If an ALIF3000 is not in factory default mode, please see the center pages.

To connect and configure an ALIF3000

- 1 Connect the ALIF3000 to an AIM-controlled network using either of the SFP ports via a suitable CATx or fiber SFP module.
- 2 Connect the necessary peripheral devices to the ALIF3000 and apply power to it via the supplied power adapter.
- 3 The OLED screen on the front panel will provide status information:



You should see the message progress from Searching... to Connected.

- 4 Log into AIM as an administrator and locate the new *ALIF3000R* entry within the *Receivers* section.
- 5 Click the  icon on the ALIF3000R entry to configure the device. Please see the AIM user guide for further details.

Full user details and setup instructions can be found at:
www.adder.com/en/kvm-solutions/adderlink-infinity-3000



www.adder.com

Welcome

This quick start guide covers some of the key points of the ADDERLink™ INFINITY 3000 (ALIF3000) unit, which has been created to address the growing requirement to connect users to both physical and virtual machines. Using standard VDI (Virtual Desktop Infrastructure) protocols - which are built-in; the ALIF3000 delivers seamless access to legacy KVM systems as well as Virtual Machine (VM) sources, from the same common console.

Dual DisplayPort® video outlets provide support for a single 2560x1600 display or two at a maximum 1920x1200 resolution (60Hz refresh).

Gigabit connections

The ALIF3000 receiver has two SFP ports located on its rear panel, which can accommodate a range of fiber or copper networking modules, as suits your installation. Each port can be connected to a separate gigabit fiber (or copper) network to permit access to a wider range of systems. A third network port (RJ45) is also provided to allow separate access, where necessary, to a corporate network to gain the VM hosting configuration data. All three connections are securely isolated within the ALIF3000 to prevent any cross contamination between networks.

Important

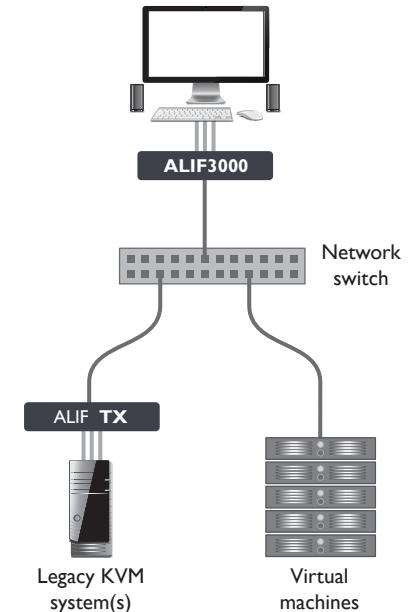
ALIF3000 can ONLY be connected as part of an ADDERLink INFINITY system that is administered by an ADDERLink INFINITY Manager. See rear page for **Initial configuration** details.

It is important that each ALIF3000 is set to its factory default settings, otherwise it will not be discovered by the AIM server. If the standard settings have been changed in a previous installation, you merely need to perform a **manual factory reset** on each unit. Please see the center pages.

Minimum versions

In a mixed ALIF installation, ensure that the various components have the following software versions:

- AIM server: v4.11
- ALIF100T-DVI: v4.07
- ALIF100T-VGA: v4.08
- ALIF1xxx: v4.9
- ALIF2xxx: v4.9
- ALIF3xxx: v1.0
- ALIF4xxx: v3.0



Full user details and setup instructions can be found at www.adder.com/en/kvm-solutions/adderlink-infinity-3000

Please read the supplied safety instruction leaflet before use.

Status indicator

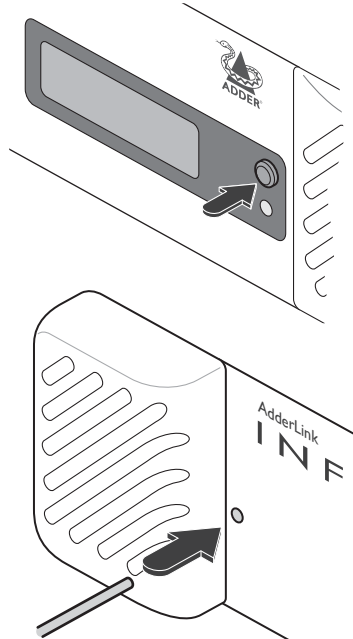


- Off No power.
- Green All services present as compared to the configuration required.
- Amber Running but video, USB or network link missing (or not connected to a transmitter/VM).
- Red Booting before processor loaded or failed.
- Blue Factory reset mode active.
- Red/green flash Booting into factory recovery mode.
- Green/blue flash Upgrade mode active.
- Fast green flash Identify mode active.

To perform a manual factory reset

A factory reset returns ALIF3000 unit to its default configuration.

- 1 Power on the ALIF3000 unit.
- 2 Press-and-hold the button located next to the front panel OLED screen for 10 seconds until the indicator turns blue and the OLED screen shows the message: **In factory reset mode**
- 3 You can now either:
 - Continue with the factory reset: Use a long narrow implement (e.g. a straightened-out paper clip) to press-and-release the recessed reset button on the front panel.
 - Return to normal operation without resetting: Press the button next to the OLED screen again.
- 4 Once the factory reset has been carried out the unit should now be ready for discovery by an AIM server.



Connections

