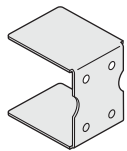
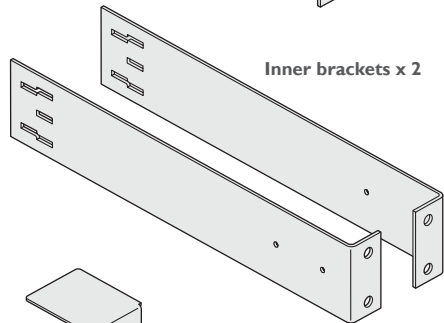
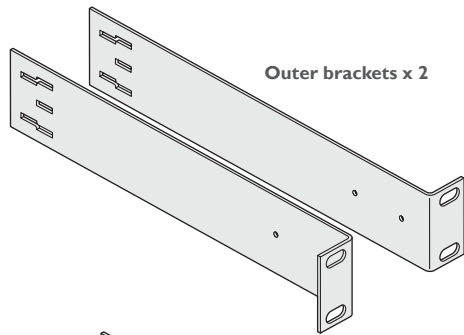
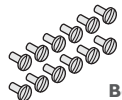


## What's in the box

Inner and outer brackets plus  
joiner and bolts  
Part number: RMK4D-R2



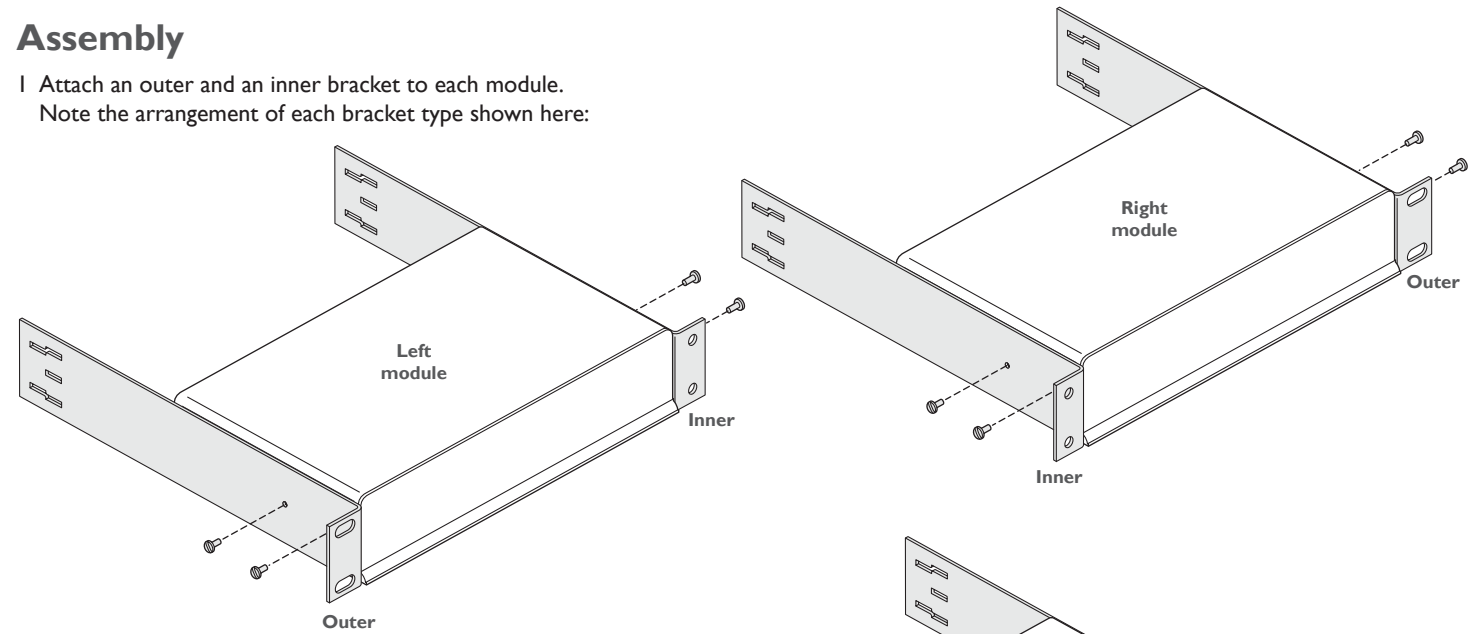
Joiner x 1



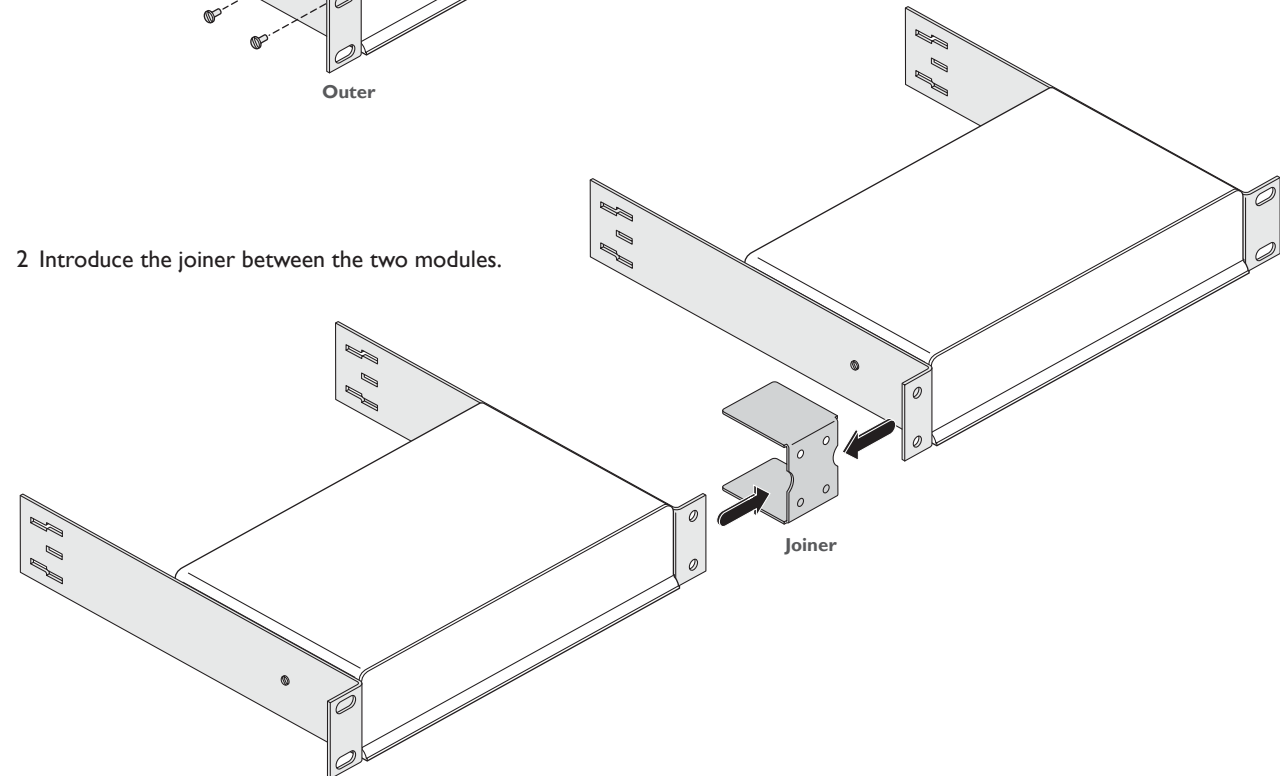
Bolts x 12

## Assembly

1 Attach an outer and an inner bracket to each module.  
Note the arrangement of each bracket type shown here:

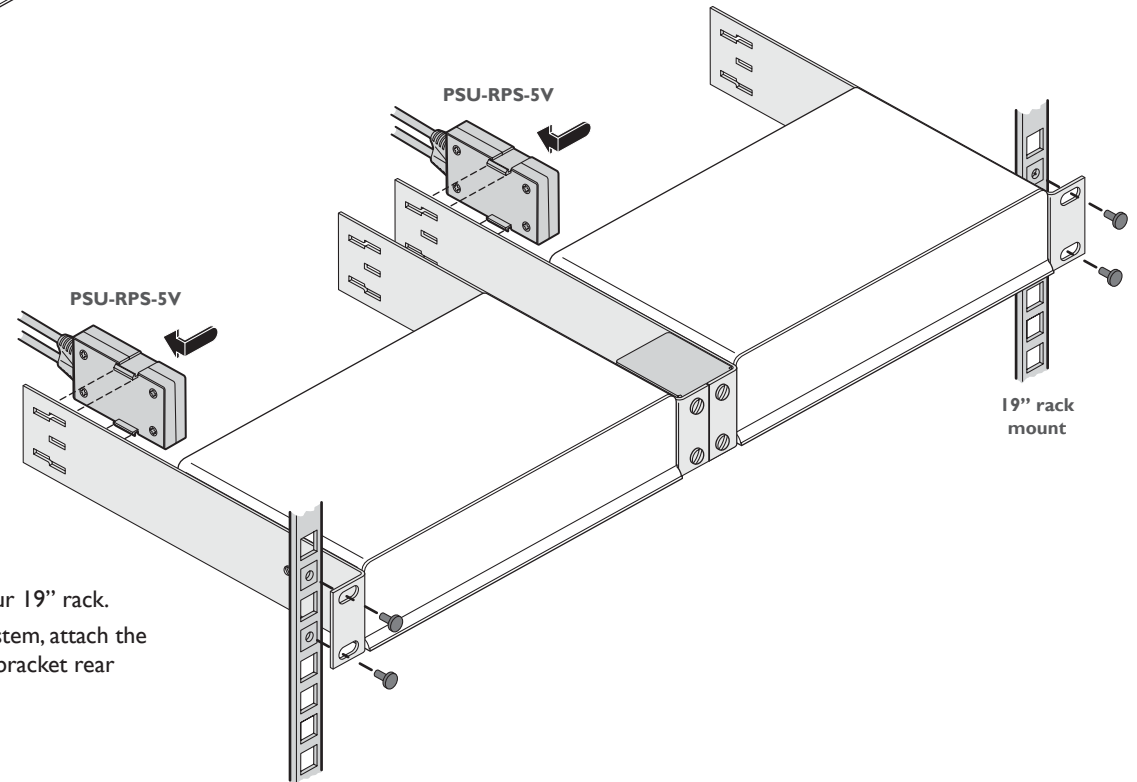
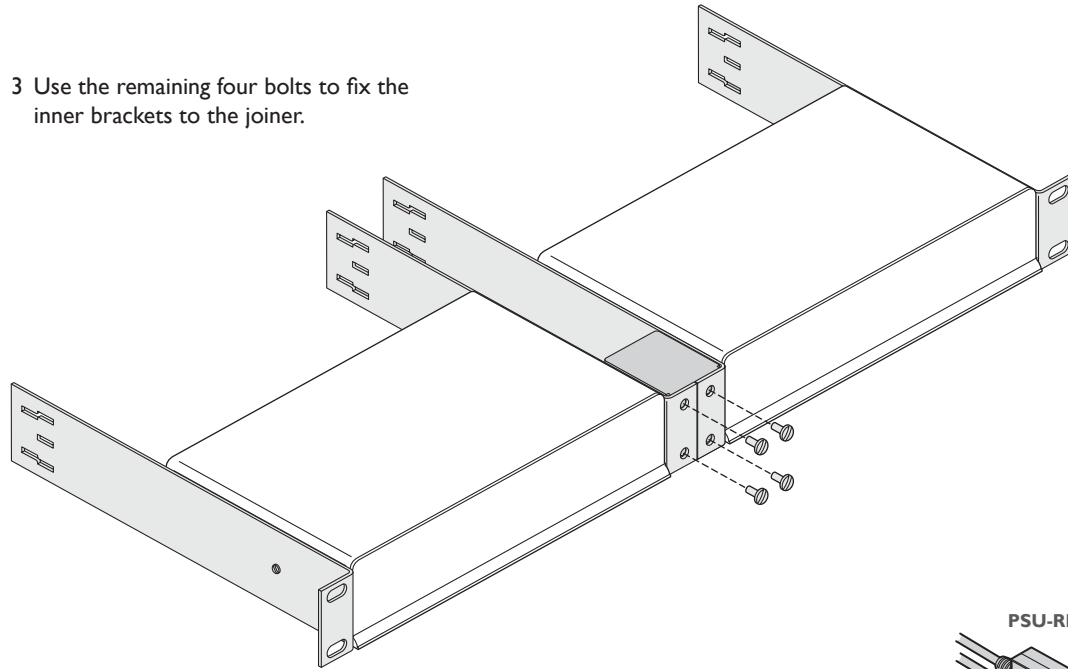


2 Introduce the joiner between the two modules.



## Assembly (continued)

- 3 Use the remaining four bolts to fix the inner brackets to the joiner.



- 4 Mount the whole assembly into your 19" rack.

- 5 When using an Adder RED-PSU system, attach the PSU-RPS-5V dongles to any of the bracket rear slots.



Web: [www.adder.com](http://www.adder.com)  
Contact: [www.adder.com/contact-details](http://www.adder.com/contact-details)  
Support: [www.adder.com/support](http://www.adder.com/support)

### Warranty

Adder Technology Ltd warrants that this product shall be free from defects in workmanship and materials for a period of two years from the date of original purchase. If the product should fail to operate correctly in normal use during the warranty period, Adder will replace or repair it free of charge. No liability can be accepted for damage due to misuse or circumstances outside Adder's control. Also Adder will not be responsible for any loss, damage or injury arising directly or indirectly from the use of this product. Adder's total liability under the terms of this warranty shall in all circumstances be limited to the replacement value of this product. If any difficulty is experienced in the installation or use of this product that you are unable to resolve, please contact your supplier.